

RUGGED – FLEXIBLE – VERSATILE – RELIABLE: Toro® 570Z Series spray heads provide a durable solution for residential and commercial contractors to satisfy all installation and retrofit requirements. In combination with Toro spray and rotating nozzles, 570Z Series spray heads can be configured in hundreds of combinations and present an unparalleled range of flexibility. Available in 2", 3", 4", 6" and 12" models with both bottom and side inlet thread options, Toro 570Z Series spray heads are further available with patented in-stem X-Flow® Technology and Pressure Regulating water-saving features. Trusted for over 25 years, Toro's 570Z Series spray heads are the ideal choice.



570Z SERIES SPRAYS

FEATURES & BENEFITS

Zero Flush Wiper Seal

The elimination of flushing on pop-up allows for more sprinklers to be installed per zone.

Patented X-Flow® Technology

The X-Flow in-stem flow shut-off device is built into the riser and restricts water loss by 99% should the nozzle be removed or damaged. The exclusive X-Flow device greatly reduces water waste, landscape erosion, and wet hardscape safety concerns. Furthermore, X-Flow allows for 'dry' nozzle and filter replacement or system maintenance while the system is running.

One-Piece Check Valve (570CV)

Pre-installed from the factory or easily installed in the field, Toro's one-piece check valve prevents low-head drainage on elevation changes of up to 3 m.

Ratcheting Riser

Quick and precise arc adjustment on all pop-up models.

Additional Features

- ✓ Corrosion-resistant stainless steel retraction spring
- ✓ All models shipped with installed flush plug

Options Available

- ✓ Serviceable Check Valve (570CV) prevents low-head drainage on elevation changes of up to 3 m (not compatible with Side Inlet models)
- ✓ Replacement Zero-Flush seal (570SEAL)
- ✓ Effluent water indicators:
 - Effluent Shrub Adapter (102-0563)-
 - Effluent snap-on cap cover (89-9752)
 - Effluent Cap with seal (102-1211)
- ✓ 6" (150mm) Riser Extender (570-6X)
- ✓ 6" (150mm) Stationary Riser (570-SR-6) [1/2" male-threaded inlet]
- ✓ 18" (450mm) Stationary Riser (570-SR-18) [1/2" male-threaded inlet]
- ✓ Riser Pull-up Tool (89-6395)
- ✓ Nozzle Adjustment Key (89-7350)



Effluent Options
Available



Check Valve
Options Available



Enhanced Zero Flush Seal

No Water Wasted at System Start

System start up is a critical time when water waste can occur. The Toro 570Z Series spray head's wiper seal is pressure-activated and prevents flow-by at start up, meaning no water is wasted and more heads can be installed on the same line.



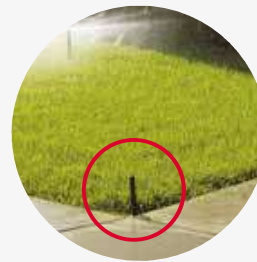
Patented X-Flow® Shut-off Device

X-Flow® Technology Cuts Off Water Waste

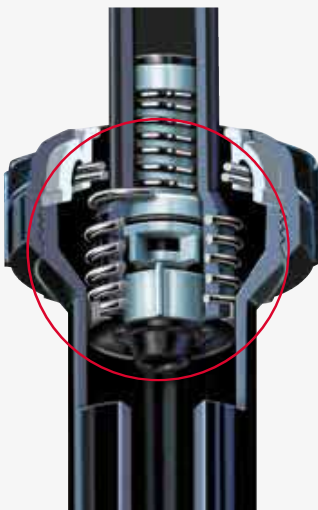
Up to 151 liters of water per minute can escape through a spray head that has a missing or damaged nozzle. This wasted water can lead to landscape erosion, property damage, or unsafe conditions due to wet hardscapes. The patented X-Flow device is factory-installed in the riser and holds back over 99% of the water that would otherwise be wasted in cases where the nozzle has been compromised through unintentional accidents or vandalism. Furthermore, X-Flow Technology allows for spray head maintenance or component replacement without the need to turn off the system.



Without X-Flow



With X-Flow



Pressure Regulator

Reliability thanks to Built-in Pressure Regulation

Toro's factory-installed pressure regulator eliminates water misting and fogging at the nozzle that can lead to rapid evaporation or water being blown away from the intended irrigation area. From the first to the last head, the in-stem pressure regulator provides a steady outlet pressure of 2,1 bar and consistent spray head performance across the zone.



Without Pressure Regulation



With Pressure Regulation

SPECIFICATIONS

Operational

- Radius: 0,6 – 7,9 m
- Operating pressure range: 1,4-5,2 Bar (1,0-5,2 Bar for Low Pressure models)
- Recommended operating pressure for spray nozzles: 2,1 Bar
- Recommended operating pressure for rotating nozzles: 2,8-3,5 Bar
- Flow rate: 0,2 – 17,0 l/min

Dimensions

- Body diameter:
 - 35mm (1 3/8") on 2P, 3P, 4P, 6P and 6P SI models
 - 41mm (1 5/8") on 12P
 - 45mm (1 3/4") on 12P SI
- Cap diameter: 50mm (2")
- Inlet: 1/2" female-threaded
- Side inlet: 4 3/4" from top of sprinkler to center of side inlet

Warranty

- Five years on 570ZPR and 570ZPRX models
- Two years on 570Z, 570ZLP and 570ZXF



570Z & 570ZLP

- 570S**
Shrub Adapter
- 570Z-2P** Spray Head
- 570Z-2LP** 2" Spray Head, Low Pressure
- 570Z-3P** 3" Spray Head
- 570Z-3LP** 3" Spray Head, Low Pressure
- 570Z-4P** 4" Spray Head
- 570Z-4LP** 4" Spray Head, Low Pressure
- 570Z-6P** 6" Spray Head
- 570Z-6LP** 6" Spray Head, Low Pressure
- 570Z-6SI** 6" Spray Head, Side Inlet body
- 570Z-6LPSI** 6" Spray Head, Low Pressure, Side Inlet body
- 570Z-12P** 12" Spray Head
- 570Z-12LP** 12" Spray Head, Low Pressure
- 570Z-12SI** 12" Spray Head, Side Inlet body
- 570Z-12LPSI** 12" Spray Head, Low Pressure, Side Inlet body
- 570Z-4P-COM** 4" Spray Head with Check Valve
- 570Z-6P-COM** 6" Spray Head with Check Valve
- 570Z-12P-COM** 12" Spray Head with Check Valve



570ZXF

- 570S-XF**
Shrub Adapter with X-Flow
- 570Z-4P-XF**
4" XF Spray Head
- 570Z-6P-XF**
6" XF Spray Head
- 570Z-6SI-XF**
6" XF Spray Head, Side Inlet Body
- 570Z-12P-XF**
12" XF Spray Head
- 570Z-12SI-XF**
12" XF Spray Head, Side Inlet Body
- 570Z-4P-XFCOM**
4" XF Spray Head with Check Valve
- 570Z-6P-XFCOM**
6" XF Spray Head with Check Valve
- 570Z-12P-XFCOM**
12" XF Spray Head with Check Valve



570ZPR

- 570S-PR**
PR Shrub Adapter
- 570Z-4P-PR**
4" PR Spray Head
- 570Z-6P-PR**
6" PR Spray Head
- 570Z-12P-PR**
12" PR Spray Head
- 570Z-4P-PRCOM**
4" PR Spray Head with Check Valve
- 570Z-6P-PRCOM**
6" PR Spray Head with Check Valve
- 570Z-12P-PRCOM**
12" PR Spray Head with Check Valve



570ZPRX

- 570S-PRX**
PRX Shrub Adapter
- 570Z-4P-PRX**
4" PRX Spray Head
- 570Z-6P-PRX**
6" PRX Spray Head
- 570Z-6SI-PRX**
6" PRX Spray Head, Side Inlet Body
- 570Z-12P-PRX**
12" PRX Spray Head
- 570Z-12SI-PRX**
12" PRX Spray Head, Side Inlet Body
- 570Z-4P-PRXCOM**
4" PRX Spray Head with Check Valve
- 570Z-6P-PRXCOM**
6" PRX Spray Head with Check Valve
- 570Z-12P-PRXCOM**
12" PRX Spray Head with Check Valve



Note: all w/o nozzle

Specifying Information—570Z Series

570X-XXXXX-XXXXXXX					
Base Model	Pop-Up Height	Spring and Inlet	Optional	Optional	Optional
570X	XX	XXX-	XXX	XXX	X
S — Shrub Z — Lawn Pop-up	2 — 2" (50mm) 3 — 3" (75mm) 4 — 4" (100mm) 6 — 6" (150mm) 12 — 12" (300mm)	P — Standard LP — Low Pressure SI — Std. Side Inlet* LPSI — Low Pressure SI	XF — X-Flow® Technology PR — Pressure Regulator PRX — Pressure Regulator with XF	COM — Check Valve**	E — Effluent

Example: A 570Z PRX Series Sprinkler with a 6" pop-up height, side inlet would be specified as: **570Z-6SI-PRX**

*Available for 6" and 12" models. **Available with non-side inlet models.