

AQUA

Semi Automatic Disc Filter

Automat offers a new generation Semi-Automatic Disc filters in 2" (25m³/hr) & 3" (40m³/hr) that allows user to clean filter without opening disc cartridge like Automatic Disc filters without use of sophisticated & expensive control system in most economical way.



New

2" & 3"

Pressure
Differential
Indicator



Features

- Easy to install & Operate. Uniform distribution of flow into filter housing optimize filtration process.
- Colour coded discs available for 80, 120 & 150 mesh.
- Clean filtered water is used for backwashing which prevents contaminants to enter the filter during back flushing.
- A unique differential pressure indicator red cap pops up to indicate filter clogging during operation.
- Innovative disc cartridge design enable loosening & rotation of discs during back flushing to get efficient cleaning with hi pressure water jets.
- Specially designed handle requires less torque to rotate it during backwashing & flushing can be quickly done by simply rotating handle 90° in clockwise direction which saves time.
- Distinctive Check valve results in hi pressure jets for efficient cleaning of discs during backwashing.
- High Spinning effect by disc housing fan prevents particles in suspension to get deposit on the disc surface reducing cleaning frequency.
- Grooved disc design with high dimensional consistency allows to get more than 95% filter efficiency.
- List maintenance requirement.
- Made of engineering plastic ,Corrosion Free & Light weight compact design

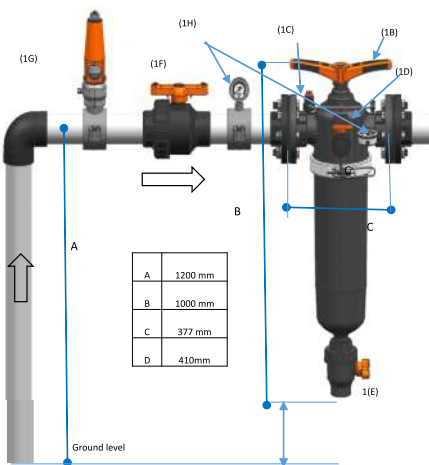
AQUA

Semi Automatic Disc Filter

Technical Details

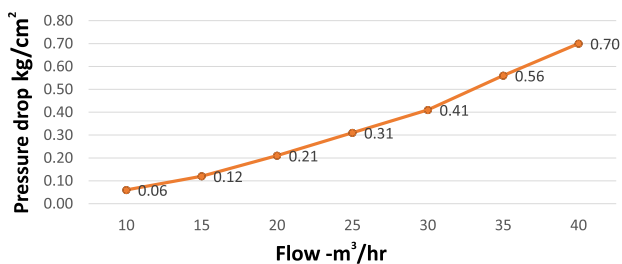
Specifications	HT-134T-SAD	HT-136T-SAD
Inlet/Outlet Connections	2" BSP/NPT/Flanged /Victaulic	3" BSP/NPT/Flanged /Victaulic
Max. Working Pressure	5 kg/cm ²	5 kg/cm ²
Max. Recommended Flow	25m ³ /hr	40m ³ /hr
Min. Recommended flush pressure	2 kg/cm ²	2 kg/cm ²
Filtration Surface Area	1620 cm ²	1620 cm ²
Material of Construction	PPGF/PAGF	PPGF/PAGF
Available Filtration Degree (Microns)	200/130/100	200/130/100

Physical Dimensions



1B	Handle Assembly kit
1C	Clogging Indicator kit
1D	Screen backwash valve -3/4" Mx F
1E	Flush valve-1 1/2" FXF
1F	Isolation valve
1G	Pressure Relief valve
1H	Pressure gauge
A	1200 mm (Main pipe line centre to ground level)
B	1000 mm(Filter total height)
C	377 mm(Connection to Connection)
D	410mm(Flush valve to ground level)

Clean pressure drop curve-Model-134T-SAD



Clean pressure drop curve-Model-136T-SAD

