

**SERIES 1015 (12" HIGH) HEAVY DUTY VALVE BOX GREEN**

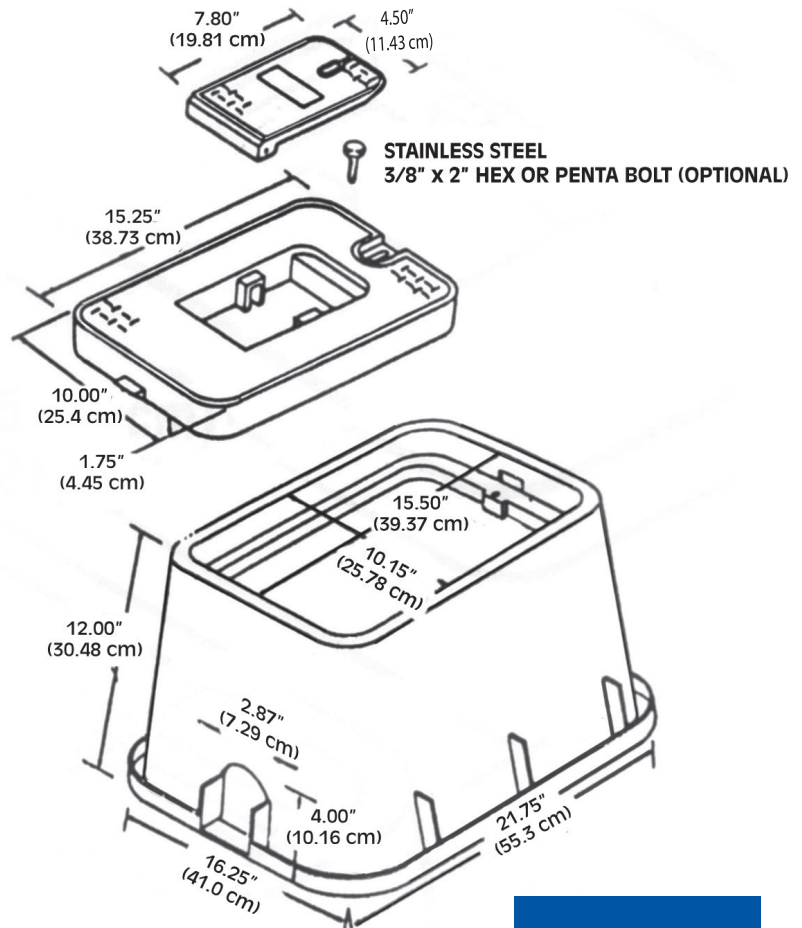
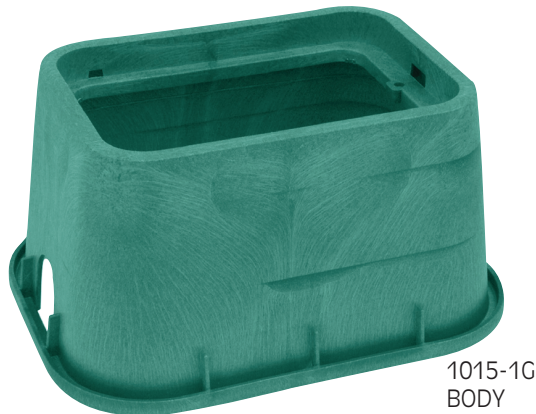
■ 60 PER PALLET

- BODY WITH STD. DROP-IN COVER
- BODY WITH "T" COVER
- BODY W/METER READER COVER
- BODY

1015-1G2G	10.00 LBS.	4.54 KG
1015T-1G2G	9.97 LBS.	4.52 KG
1015-1G3G	10.13 LBS.	4.49 KG
1015-1G	7.73 LBS.	3.50 KG

- 1. STD. DROP-IN COVER
- 2. "T" COVER
- 3. COVER WITH METER DOOR

1015-2G	2.27 LBS.	1.03 KG
1015T-2G	2.24 LBS.	1.02 KG
1015-3G	2.18 LBS.	.99 KG



**SPECIAL FEATURES**

- HEAVY DUTY CONSTRUCTION
- MOLDED IN NYLON NUT FOR BOLT
- UV INHIBITOR TO PREVENT DISCOLORING & CRACKING
- NESTABLE FOR STORAGE OR SHIPPING

**OTHER STOCK COLORS AVAILABLE**

- BLACK
- GRAY
- LAVENDER
- TAN

**STANDARD MARKINGS AVAILABLE (IRRIGATION CONTROL VALVE • WATER (SOLID OR METER DOOR) • SEWER • ELECTRIC • RECLAIMED WATER • CATV • TELEPHONE • BLANK)**