

## SERIES 1324 (15" HIGH) UTILITY BOX GREEN

■ 16 PER PALLET

■ BODY & COVER

■ BODY WITH METER READER COVER

■ BODY

■ COVER

■ COVER WITH METER READER DOOR

1324-15P2P

27.00 LBS.

12.25 KG

1324-15P3P

27.80 LBS.

12.61 KG

1324-15P

20.00 LBS.

9.07 KG

1324-2P

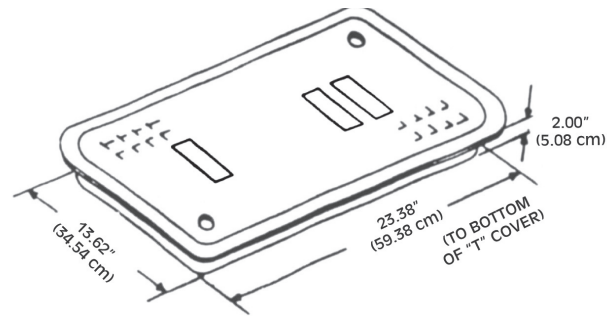
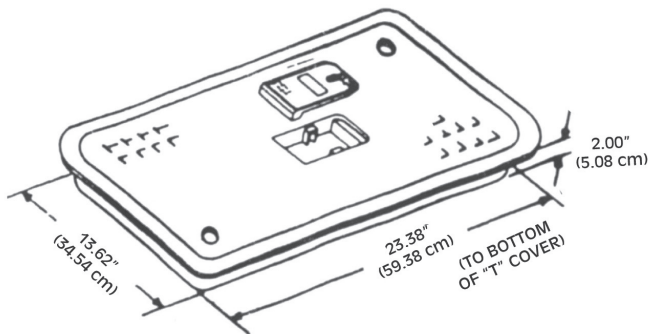
7.00 LBS.

3.18 KG

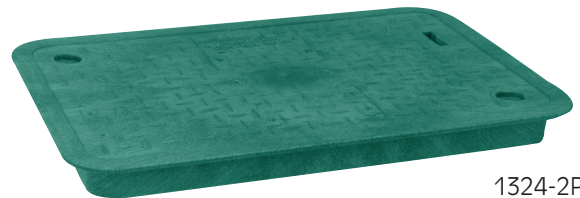
1324-3P

7.80 LBS.

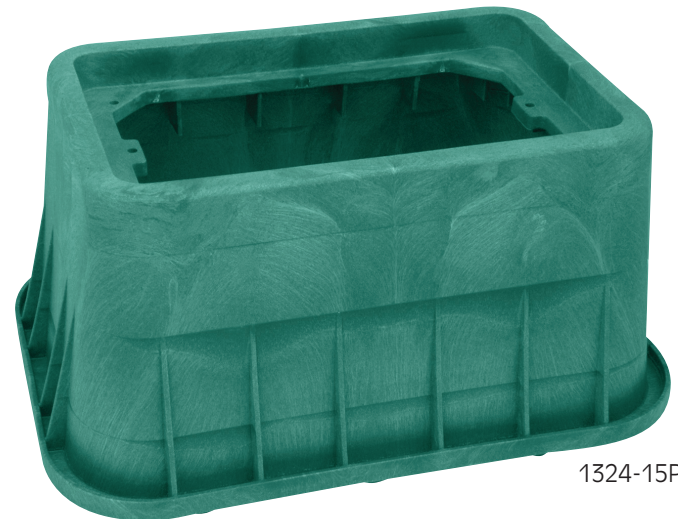
3.54 KG



1324-3P



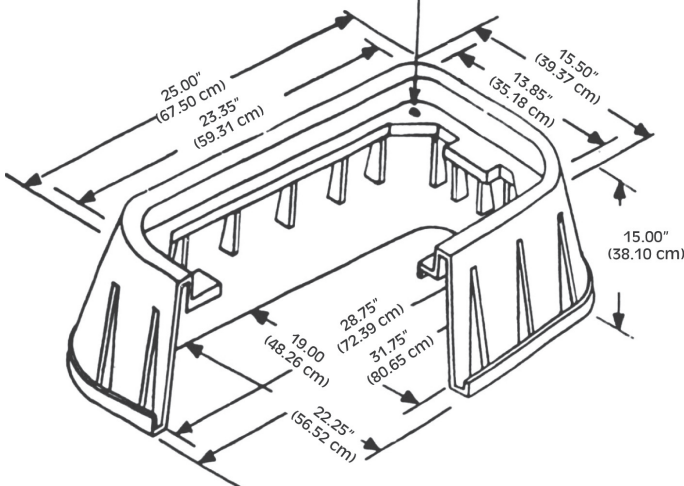
1324-2P



1324-15P

BOLTS - 3/8" x 2 1/2" STAINLESS STEEL

DIAGONAL BOLT DOWN PATTERN



■ FOR USE IN NON-VEHICLE TRAFFIC AREA

### SPECIAL FEATURES

- UV INHIBITOR ADDED TO PREVENT DISCOLORING & CRACKING
- HEAVY DUTY COMMERCIAL CONSTRUCTION
- CAST IRON OR POLY METER READER COVER
- DIAGONAL BOLT DOWN PATTERN
- MOLDED IN NYLON NUT FOR BOLT

**OTHER STOCK COLORS AVAILABLE**

- BLACK
- GRAY
- TAN
- LAVENDER

**STANDARD MARKINGS AVAILABLE (IRRIGATION CONTROL VALVE • WATER (SOLID OR WITH METER READER) • RECLAIMED WATER • ELECTRIC • TELEPHONE • SEWER)**