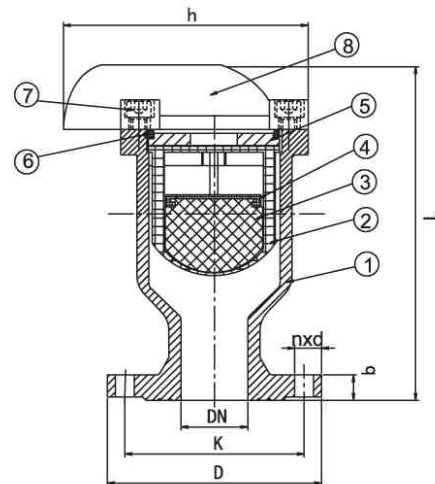
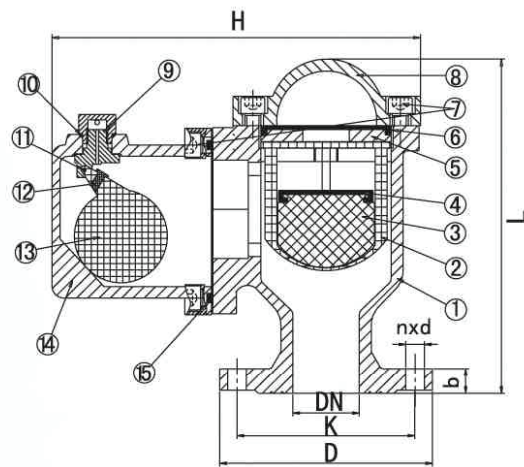


AIR RELEASE



Ductile Iron AIR RELEASE VALVE epoxy coated. Suitable for potable water.



MATERIALS

NO	REFERENCE	MATERIAL	STANDARD
1	BODY	GJS-500-7	EN1563
2	NET	PLASTIC	
3	FLOAT	PLASTIC	
4	GASKET	EPDM	EN681
5	BRASS COVER	BRASS	EN1982
6	GASKET	EPDM	EN681
7	BOLT	STEEL 8.8ZINCED	
8	BONNET	GJS-500-7	EN1563
9	VALVE OUTLET	BRASS	EN1982
10	O-RING	NBR	EN681
11	PIN	SS304	
12	GASKET	EPDM	EN681
13	FLOAT	PLASTIC	
14	DEGASSING BODY	GJS-500-7	EN1563
15	GASKET	EPDM	EN681

DN	L	H	h	b	EN1902-2 PN10			EN1092-2 PN16			Weigh	
					D	K	nxb	D	K	nxb	SINGLE	kg
50	255	285	185	19	165	125	4x19	165	125	4x19	10.10	9.50
65	255	285	185	19	185	145	4x19	185	145	4x19	11.00	14.00
80	255	285	185	19	200	160	4x19	200	160	8x19	13.50	16.50
100	325	330	270	19	220	180	8x19	220	180	8x19	21.54	24.00