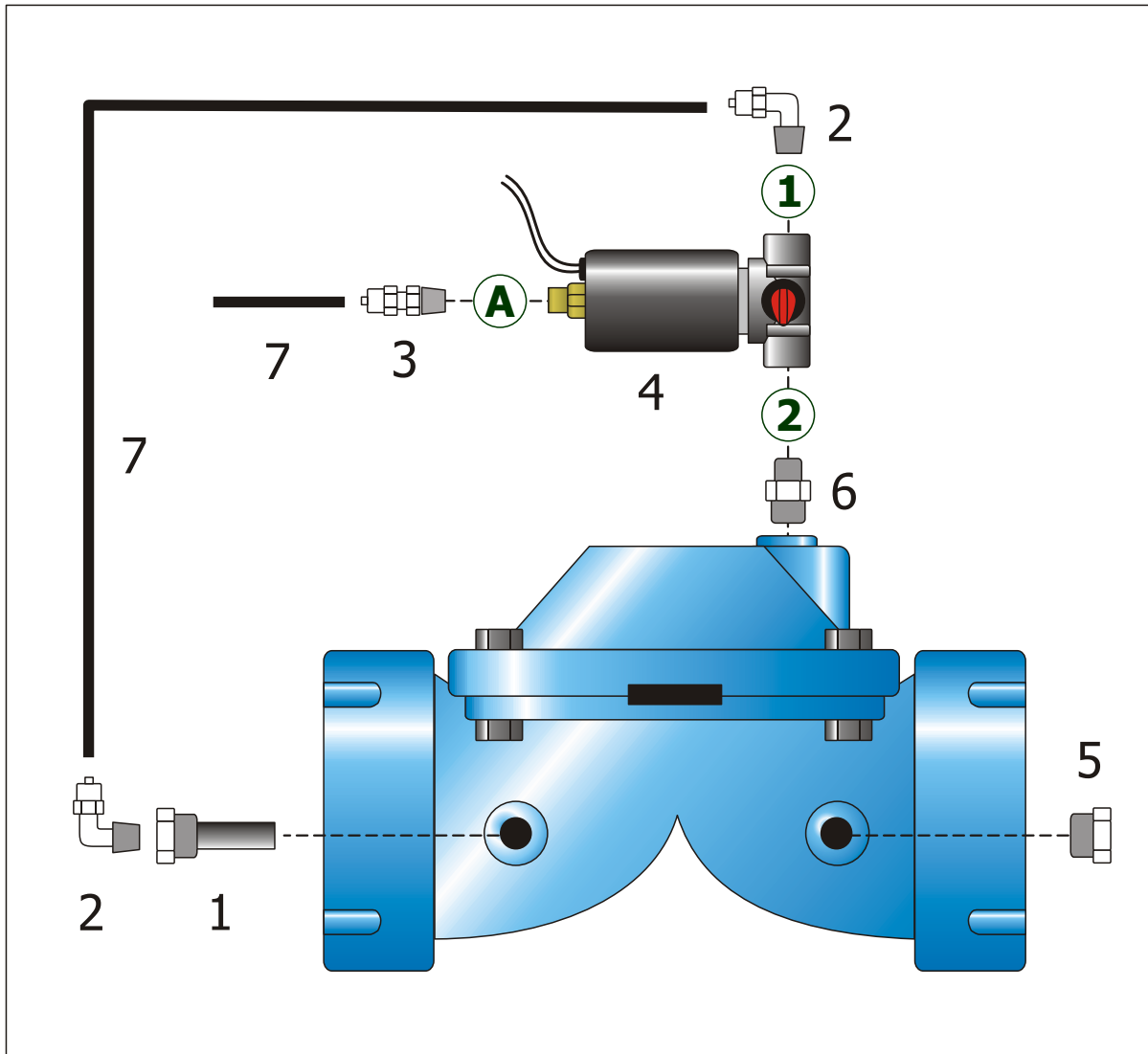




**ELECTRIC VALVE**

**Mod. IM-EL (solenoid N.C.)**

TECNIDRO



**LEGEND:**

- 1 - Filter Ø1/4"M-1/8"F
- 2 - Elbow Ø1/8"M pipe Ø 6 mm
- 3 - Straight Ø1/8"M pipe Ø 6 mm
- 4 - Solenoid EL Ø1/8"F
- 5 - Plug Ø1/4"M
- 6 - Reduction nipple Ø1/4"M-1/8"M
- 7 - Micropipe PEAD Ø 6 mm

- Ⓐ - Inlet
- ① - Drainage
- ② - Common

**NOTES:**

- fittings and micropipe Ø 8 mm for valves of Ø6" or superior.
- the technical characteristics can change without prior notice.